

AUTOBONDER® 2512 DATA SHEET

EST. 1978

ISO-9001

The **Autobonder® 2512** is a control unit for applying a wide variety of sealants or adhesives to components along a circular path, using any number of Sureshot® valves depending on the material being dispensed. The machine allows control through an included HMI PLC and can be triggered through manual control with a footswitch and/or PLC start button.

The two spindles, located in the top surface of the machine, are designed to rotate speaker components and apply a bead of adhesive along a desired edge.

Product Part #: 110-137

Features:

- Independently Operating Dual Turntables For Dispensing And/Or Curing
- Consistent Application On Circular Paths
- Multiple Timing Functions And Ranges
- Tooling Sold Separately

Specifications:

- Power requirements: 90-220VAC
- Internal Power Supply Voltage: 24V and 48V
- Air: Minimum 70psi, Max 100psi; 1/4" NPT
- Housing dimensions: 20" x 18.7" x 20.75"
- Weight: 60 lbs (28 kg)

System Includes:

- 2512 Control Unit
- Two Reservoirs
- Two Sureshot® Valves
- Foot Switch
- Tubing
- Needle Kit

Warranty:

- Standard 1 year from purchase date

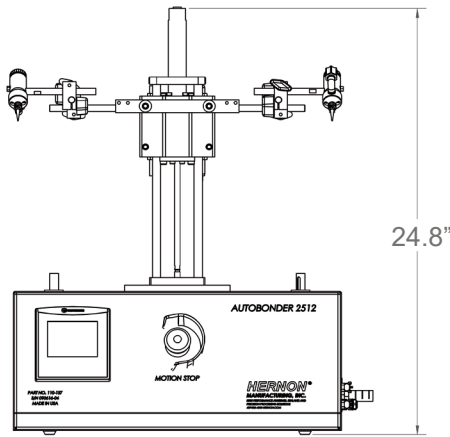


AUTOBONDER® 2512 DATA SHEET

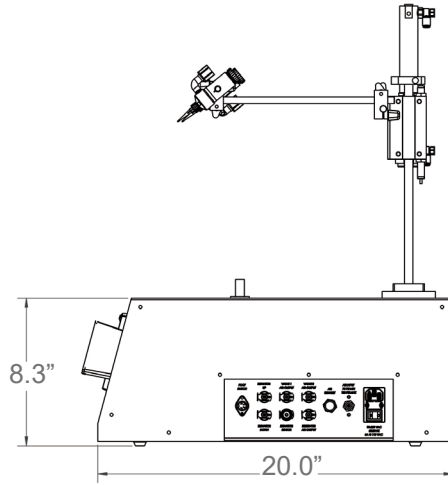
EST. 1978

ISO-9001

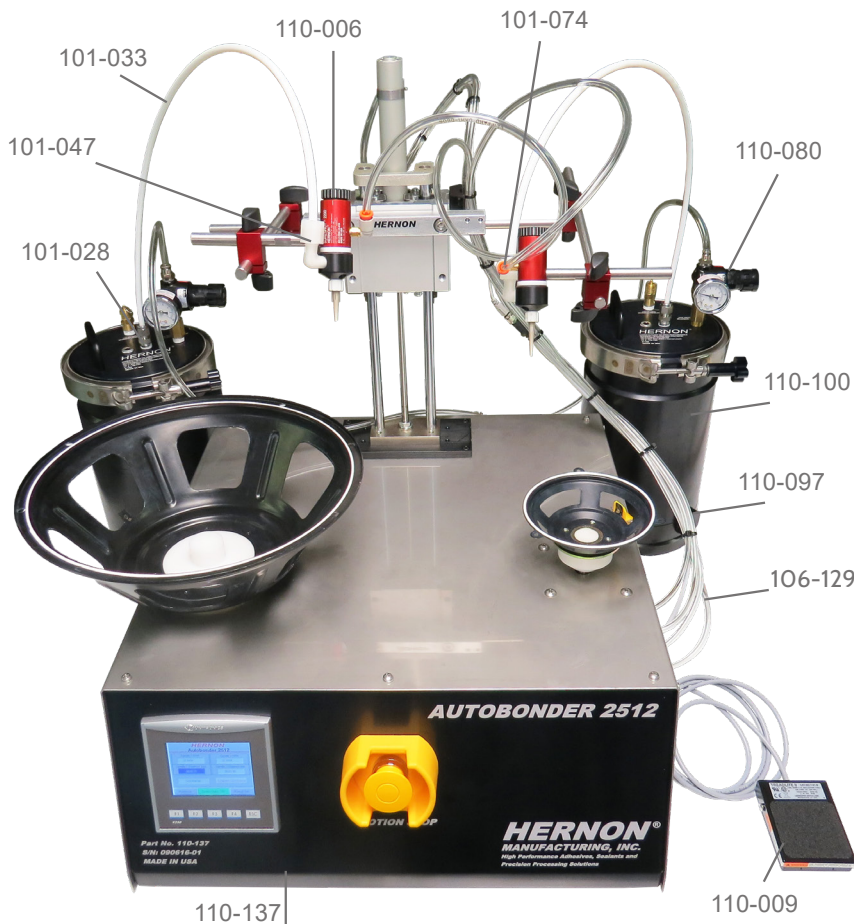
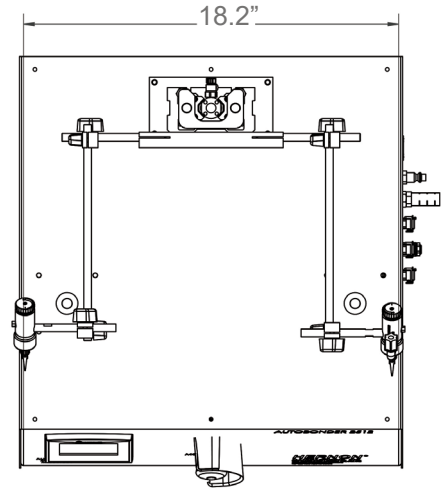
Front View:



Side View:



Top View:



QTY.	Name	Part #
1	Autobonder 2512 Controller	110-137
2	R125 Reservoir	110-100
2	Standard Regulator Kit (0-100 PSI)	110-080
2	1/4" Dispense Tube Fitting Thermocouple	101-028
2	Plug - No Sensor Option (R125)	110-097
6 ft.	Dispense Tubing (White Teflon) 1.4" O.D. x 0.15 wall	101-033
2	SureShot 2200 (Straight) Teflon Piston (Standard)	110-006
2	1/8" NPT x 1/4" Tube x 90° Kynar Fitting	101-047
2	10-32 Male to 1/4" Tube Push-To-Connect (90°)	101-074
5 ft.	Pneumatic Tubing (Cut to Desired Length) 1/4" O.D. Male Quick-Disconnect	106-129
1	Foot Pedal	110-009
1	Power Cable (Not Shown)	102-025