

ULTRACURE® 8 DATA SHEET

EST. 1978

ISO-9001

The **Ultracure® 8** is a high output UV LED curing lamp designed to quickly and completely cure UV adhesives and sealants. This curing light has built-in power regulation, over temperature protection and is liquid cooled to ensure consistent long term operation while outputting a maximum intensity UV light. The **Ultracure® 8** includes a focused lens that concentrates the ultraviolet light to provide an extended curing range of 3x the standard distance of an Ultracure® 6 while maintaining the light intensity needed to produce a curing reaction. The **Ultracure® 8** can be installed alone or in a series to produce a UV light bath for UV curing applications.

Product Part #: 107-033

Features:

- UV LED curing lamp
- Built-in power regulation and overheat protection
- Green / red system status indicator
- Liquid cooled

Specifications:

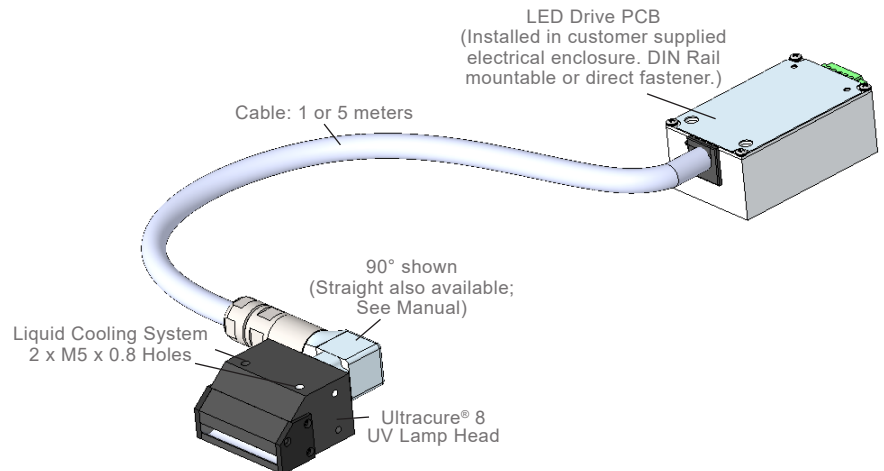
- Dimensions: 2.275" x 1.25" x 1.86"
- 2.5/w cm² maximum output @365nm
- 24 vdc @ 700mA

Mounting:

- The Ultracure® 8 has three mounting options:
 - 4 x M4 x 0.7 on electrical connector end
 - 2 x M4 x 0.7 on both sides of the device

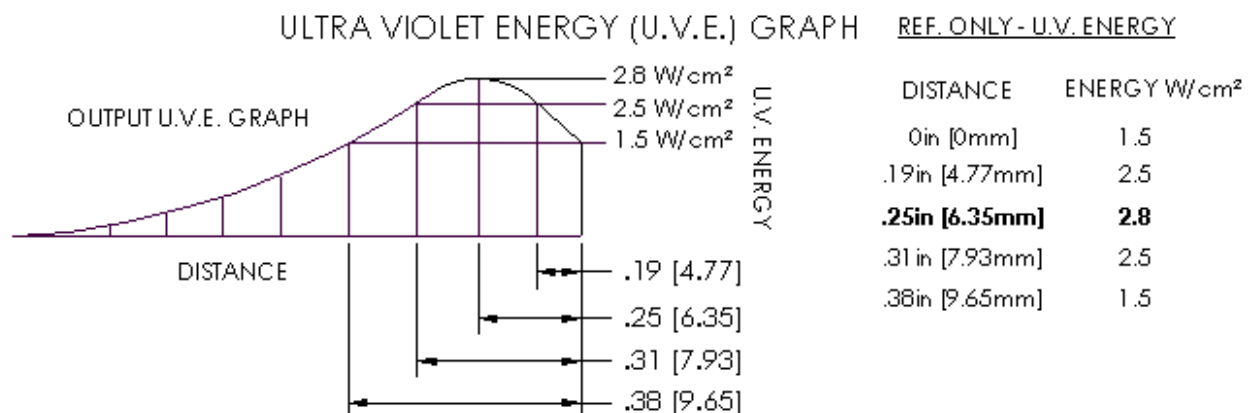
Warranty:

- Standard 1 year from purchase date



UV Curve / UV Output Curve:

The Ultracure® 8 has an optimal distance for curing properties. The diagram below shows UV intensity vs. distance curve:

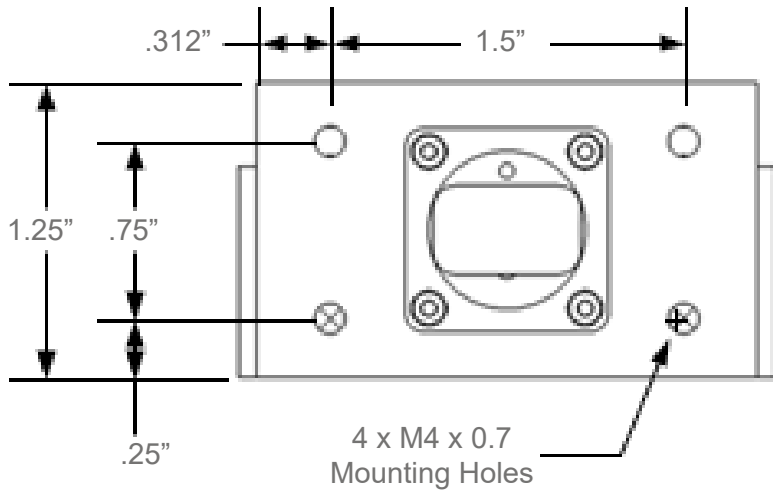


ULTRACURE[®] 8 DATA SHEET

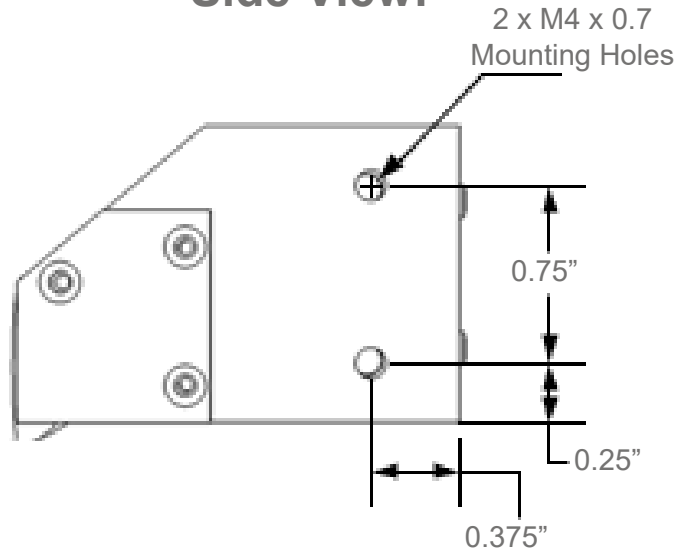
EST. 1978

ISO-9001

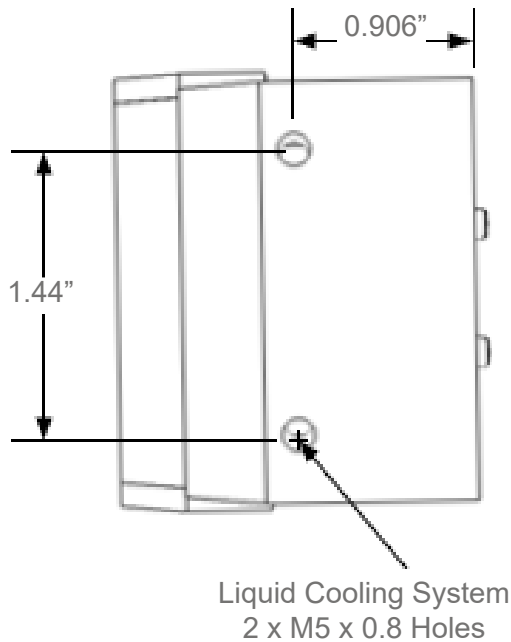
Back View:



Side View:



Top View:



Bottom View:

