

## AUTOSEALER® 5220 DATA SHEET

EST. 1978

ISO-9001

The **Autosealer® 5220** is a compact, cost-effective ammunition waterproofing and sealing system. The **Autosealer® 5220** is ideal for smaller production environments, qualifying runs (first article) or testing labs. The manually loaded 5220 dispenses Hernon® ammunition sealants on ammunition primers and casemouths via Sureshot® precision dispensing valves and then cures the sealant in seconds with powerful Ultracure® UV LED curing lamps - leaving the rounds completely waterproof and ready for immediate use or packaging.

### Features:

- Portable benchtop design
- Manual feed, automatic unload
- Throughput 20ppm (max speed)
- Seals 380ACP through 50 Cal BMG
- Easy clean and flush dispense system
- No tooling change required for different parts

### Specifications:

- Sureshot® 3510 Jet Transfer
- Ultracure® 9 UV LED curing: casemouths
- Ultracure® 6 UV LED curing: primers
- R100 Reservoir with standard regulator
- 30 micron filtration
- Footprint: 25.9" x 35.7" x 25.2"
- Weight: 117 lbs.

### Warranty:

- Standard 1 year from purchase date

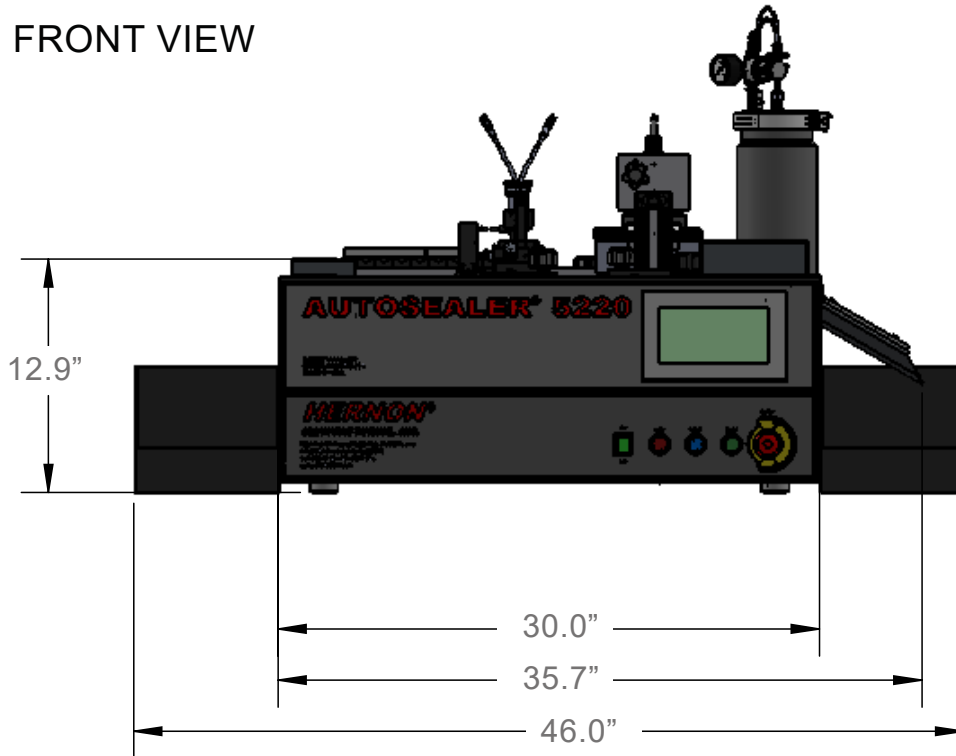


AUTOSEALER<sup>®</sup> 5220 DATA SHEET

EST. 1978

ISO-9001

FRONT VIEW



SIDE VIEW

